

Triacs

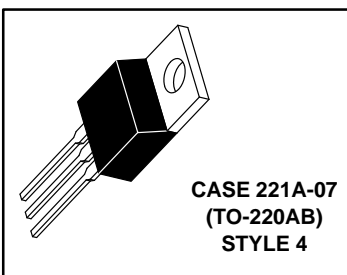
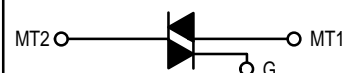
Bidirectional Triode Thyristors

... designed primarily for full-wave ac control applications, such as light dimmers, motor controls, heating controls and power supplies.

- Blocking Voltage to 600 Volts
- All Diffused and Glass Passivated Junctions for Greater Parameter Uniformity and Stability
- Small, Rugged, Thermowatt Construction for Low Thermal Resistance, High Heat Dissipation and Durability
- T2800 — Four Quadrant Gating

**T2800
SERIES**

**TRIACs
8 AMPERES RMS
400 thru 600 VOLTS**



MAXIMUM RATINGS (T_J = 25°C unless otherwise noted.)

Rating	Symbol	Value	Unit
Peak Repetitive Off-State Voltage ⁽¹⁾ (T _J = -40 to +100°C, Gate Open)	V _{DRM}	400 600	Volts
RMS On-State Current (Conduction Angle = 360°)	I _{T(RMS)}	8	Amps
Peak Non-repetitive Surge Current (One Full Cycle, 60 Hz, T _J = +80°C)	I _{TSM}	100	Amps
Circuit Fusing (t = 8.3 ms)	I ² t	40	A ² s
Peak Gate Power (Pulse Width = 1 μs)	P _{GM}	16	Watts
Average Gate Power	P _{G(AV)}	0.35	Watt
Peak Gate Trigger Current (Pulse Width = 1 μs)	I _{GTM}	4	Amps
Operating Junction Temperature Range	T _J	-40 to +100	°C
Storage Temperature Range	T _{stg}	-40 to +150	°C

THERMAL CHARACTERISTICS

Characteristic	Symbol	Max	Unit
Thermal Resistance, Junction to Case	R _{θJC}	2.2	°C/W

1. V_{DRM} for all types can be applied on a continuous basis. Blocking voltages shall not be tested with a constant current source such that the voltage ratings of the devices are exceeded.

T2800 SERIES

ELECTRICAL CHARACTERISTICS (T_C = 25°C unless otherwise noted.)

Characteristic	Symbol	Min	Typ	Max	Unit
Peak Blocking Current (V _D = Rated V _{DRM} , Gate Open) T _C = 25°C T _C = 100°C	I _{DRM}	— —	— —	10 2	μA mA
Peak On-State Voltage (Either Direction)* (I _T = 30 A Peak)	V _{TM}	—	1.7	2	Volts
Gate Trigger Current (Continuous dc) (V _D = 12 Vdc, R _L = 12 Ohms) MT2(+), G(+) T2800 MT2(+), G(-) T2800 MT2(-), G(-) T2800 MT2(-), G(+) T2800	I _{GT}	— — — —	10 20 15 30	25 60 25 60	mA
Gate Trigger Voltage (Continuous dc) (All Polarities) (V _D = 12 Vdc, R _L = 100 Ohms) (R _L = 125 Ohms, V _D = V _{DRM} , T _C = 100°C)	V _{GT}	— 0.2	1.25 —	2.5 —	Volts
Holding Current (Either Direction) (V _D = 12 Vdc, Gate Open) T2800	I _H	—	15	30	mA
Gate Controlled Turn-On Time (V _D = Rated V _{DRM} , I _T = 10 A, I _{GT} = 80 mA, Rise Time = 0.1 μs)	t _{gt}	—	1.6	—	μs
Critical Rate-of-Rise of Commutation Voltage (V _D = Rated V _{DRM} , I _T (RMS) = 8 A, Commutating di/dt = 4.1 A/ms, Gate Unenergized, T _C = 80°C)	dv/dt(c)	—	10	—	V/μs
Critical Rate-of-Rise of Off-State Voltage (V _D = Rated V _{DRM} , Exponential Voltage Rise, Gate Open, T _C = 100°C) T2800 D M	dv/dt	— 60	— —	— —	V/μs

*Pulse Test: Pulse Width ≤ 300 μs, Duty Cycle ≤ 2%.

FIGURE 1 – CURRENT DERATING

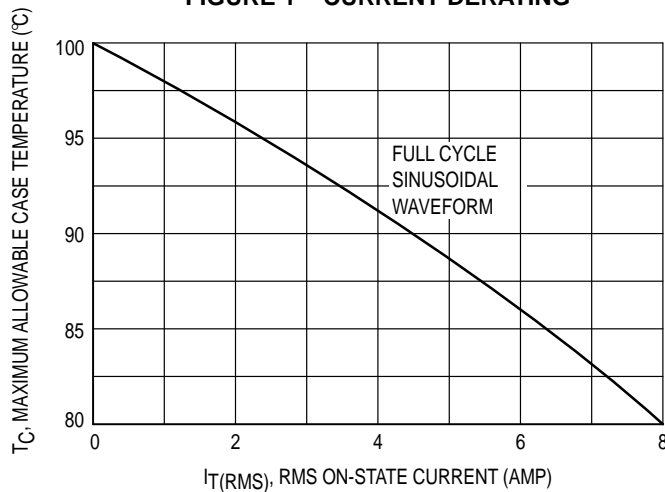
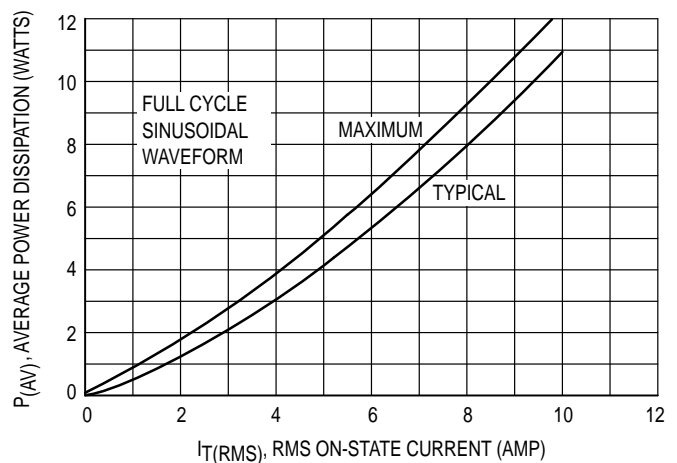
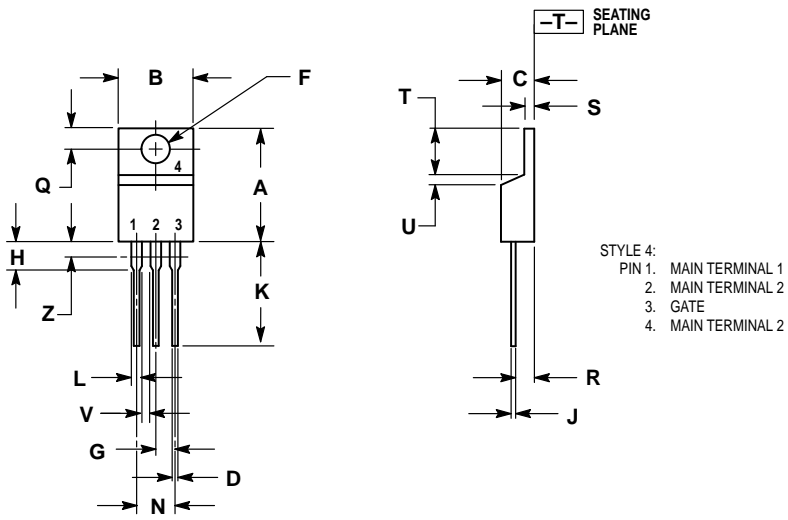


FIGURE 2 – POWER DISSIPATION



PACKAGE DIMENSIONS




- NOTES:
1. DIMENSIONING AND TOLERANCING PER ANSI Y14.5M, 1982.
 2. CONTROLLING DIMENSION: INCH.
 3. DIMENSION Z DEFINES A ZONE WHERE ALL BODY AND LEAD IRREGULARITIES ARE ALLOWED.

DIM	INCHES		MILLIMETERS	
	MIN	MAX	MIN	MAX
A	0.570	0.620	14.48	15.75
B	0.380	0.405	9.66	10.28
C	0.160	0.190	4.07	4.82
D	0.025	0.035	0.64	0.88
F	0.142	0.147	3.61	3.73
G	0.095	0.105	2.42	2.66
H	0.110	0.155	2.80	3.93
J	0.014	0.022	0.36	0.55
K	0.500	0.562	12.70	14.27
L	0.045	0.060	1.15	1.52
N	0.190	0.210	4.83	5.33
Q	0.100	0.120	2.54	3.04
R	0.080	0.110	2.04	2.79
S	0.045	0.055	1.15	1.39
T	0.235	0.255	5.97	6.47
U	0.000	0.050	0.00	1.27
V	0.045	—	1.15	—
Z	—	0.080	—	2.04

CASE 221A-07
 (TO-220AB)
 ISSUE Z

T2800 SERIES

Motorola reserves the right to make changes without further notice to any products herein. Motorola makes no warranty, representation or guarantee regarding the suitability of its products for any particular purpose, nor does Motorola assume any liability arising out of the application or use of any product or circuit, and specifically disclaims any and all liability, including without limitation consequential or incidental damages. "Typical" parameters which may be provided in Motorola data sheets and/or specifications can and do vary in different applications and actual performance may vary over time. All operating parameters, including "Typicals" must be validated for each customer application by customer's technical experts. Motorola does not convey any license under its patent rights nor the rights of others. Motorola products are not designed, intended, or authorized for use as components in systems intended for surgical implant into the body, or other applications intended to support or sustain life, or for any other application in which the failure of the Motorola product could create a situation where personal injury or death may occur. Should Buyer purchase or use Motorola products for any such unintended or unauthorized application, Buyer shall indemnify and hold Motorola and its officers, employees, subsidiaries, affiliates, and distributors harmless against all claims, costs, damages, and expenses, and reasonable attorney fees arising out of, directly or indirectly, any claim of personal injury or death associated with such unintended or unauthorized use, even if such claim alleges that Motorola was negligent regarding the design or manufacture of the part. Motorola and  registered trademarks of Motorola, Inc. Motorola, Inc. is an Equal Opportunity/Affirmative Action Employer.

Mfax is a trademark of Motorola, Inc.

How to reach us:

USA/EUROPE/Locations Not Listed: Motorola Literature Distribution;
P.O. Box 5405, Denver, Colorado 80217. 1-303-675-2140 or 1-800-441-2447

JAPAN: Motorola Japan Ltd.; SPD, Strategic Planning Office, 141,
4-32-1 Nishi-Gotanda, Shinagawa-ku, Tokyo, Japan. 81-3-5487-8488

Customer Focus Center: 1-800-521-6274

Mfax™: RMFAX0@email.sps.mot.com – TOUCHTONE 1-602-244-6609
Motorola Fax Back System – US & Canada ONLY 1-800-774-1848
– http://sps.motorola.com/mfax/

ASIA/PACIFIC: Motorola Semiconductors H.K. Ltd.; Silicon Harbour Centre,
2, Dai King Street, Tai Po Industrial Estate, Tai Po, N.T., Hong Kong.
852-26629298

HOME PAGE: <http://motorola.com/sps/>

